



# Arena

The heavy-duty bed

---



## Arena

### The heavy-duty bed

Arena heavy-duty beds facilitate the demanding daily care routine with bariatric individuals. Bariatric care patients can easily stretch the space and weight limits of standard beds.

To meet the needs of these occupants, the Arena provides a safe working load of 350 kg. This includes the weight of the occupant, the mattress and any accessories. With its powerful motors, com-

fort adjustments can be made quickly and easily at any time without compromising on stability. The bed provides a back-friendly height of 80 cm and can be lowered to 40 cm.

The mattress base has a comfortable width of 120 cm and so provides bariatric individuals with ample space.



◀ With its powerful motors, comfort adjustments can be made quickly and easily at any time.



◀ The mattress base has a comfortable width of 120 cm and so provides bariatric individuals with ample space.



Knee bending mechanism.

## Mobility and comfort

Early mobilisation of patients is of increasing importance in the daily care routine. This is why the Arena assists this process with special functions. The mobilisation support in the split safety sides (optional) with its ergonomic knob provides the occupant with a secure grip and enhances safety.

Mobilising the occupant begins with sitting up. The bed can be set to a comfortable sitting position with a knee bending mechanism.

This helps the occupant to participate sooner in everyday life. The adjustment range of the mattress base allows the height to be individually adjusted, enabling the occupant to get out of bed safely and providing a surer footing for the occupant.

The heavy-duty mattress with its high point elasticity provides excellent lying comfort in particularly demanding care situations.



▲ Mobilisation support enhances safety.



▲ Height can be adjusted individually.



▲ Heavy-duty mattress with high point elasticity.

## Features

The emergency release facility allows care staff to lower the back rest from any preset position. A lever is provided for this on both sides of the bed and is very easy to reach.

The integrated supply rail allows a variety of accessories to be placed on either side of the bed.

The Arena is available with full length safety sides (standard) and with split safety sides (optional). It is also possible to select a combination of both types of safety sides.



▲ Emergency release facility.



▲ Integrated supply rail.



▲ Protective cushions.

## Accessories

All-round protection for occupants can be provided by attaching protective cushions to the head and foot boards and safety sides. These cushions are flexible, hard-wearing and tear-resistant and can also be disinfected.

The bed can be fitted with an integrated extension as an option. This provides ample room even for tall occupants.

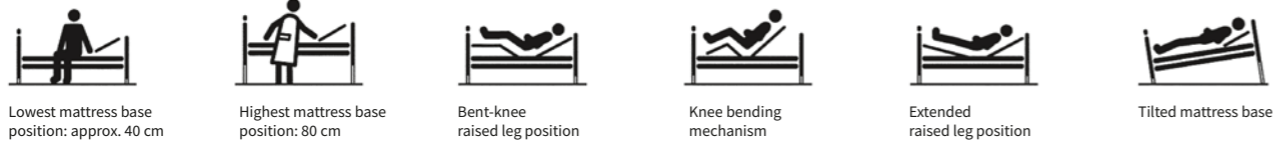
Additional accessories are also available, of course, for the Arena, including lamps and universal holders.



▲ Integrated extension for tall occupants.



▲ Lamp



## Options and accessories

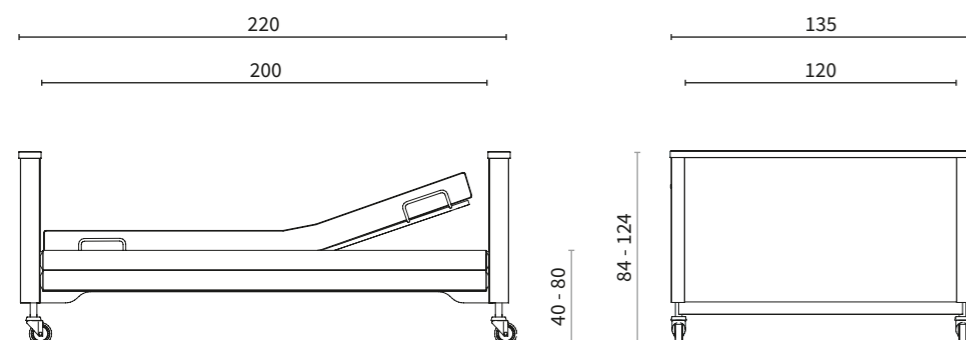
All figures given are approximate values.

Arena	
<b>Dimensions</b>	
External dimensions	220 x 135 cm
Mattress base	200 x 120 cm
<b>Decors</b>	
Natural Beech (R 24010 VV); Bloomed Cherry Planked (R 42009 VV); Lindberg Oak (20021 VV)	
<b>Safety side systems</b>	
Integrated full length safety sides	✓
Integrated split safety sides	0
Combination of full length and split safety sides	0
<b>Features</b>	
Mattress base in four sections, electrically adjustable	✓
Wire mesh mattress base	✓
Heavy-duty castors Ø 100 mm	✓
Individual locking castors	✓
Height adjustment	40 – 80 cm
Backrest adjustment	to 70°
Thigh rest adjustment	to 26°
Extended raised leg position	to 11°
Tilting to Trendelenburg and reverse-Trendelenburg position	✓
Right/left-hand supply rail	✓
Locking box with selective locking of electrical functions	✓
Argentum metal finish	✓

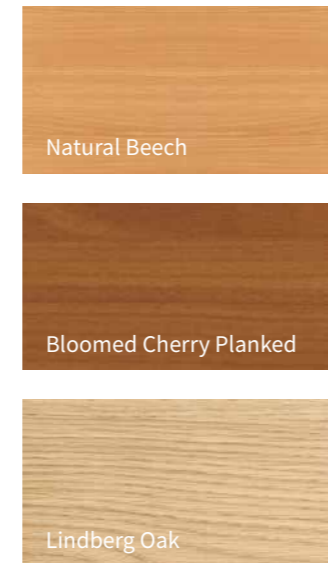
✓ = Standard feature 0 = Available as an option

The Arena is also suitable for clinical use. In this case, it is additionally equipped with potential equalisation on the mattress frame and a conductive mattress base using connecting cables.

### External dimensions/height adjustment range:



## Decors



# STIEGELMEYERGROUP



# Solutions for people who care

The Stieglmeyer Group is Germany's leading manufacturer of medical beds for hospitals, nursing homes and homecare. With modern bedside cabinets, furniture and digital assistance systems, it is also an innovative provider of comprehensive solutions. The family-run company successfully develops offers for international markets in more than 100 countries.

### Our strengths:

- Product development at our Herford headquarters in Germany – production in four modern factories in Germany and Poland
- Factory in China for the Chinese market
- Subsidiaries and sales partners in many countries
- Top-class service with reliable spare parts supply
- Training and process optimisation for our customers
- Sustainable action with strong social commitment

1 000 EMPLOYEES WORLDWIDE

11 LOCATIONS in Germany, Poland, the Netherlands, Belgium, France, Finland, South Africa and China

Tailor-made OFFERS for all MARKETS

MORE THAN 100 000 beds produced every year

UP TO 15-YEAR spare part availability

DISTRIBUTION in more than 100 countries

INTERNATIONAL CERTIFICATION

GERMAN ENGINEERING

### Our expertise

- Hospital
- Nursing home
- Homecare
- Lifestyle beds
- Furniture systems
- Service

### Our values

- Experienced
- Human
- Reliable
- Solution-focused
- Open-minded
- Confident

### Our brands





# STIEGELMEYERGROUP

Solutions for people who care



## Hauptsitz / Headquarters

*Deutschland / Germany*  
**Stieglmeyer GmbH & Co. KG**  
Ackerstraße 42  
32051 Herford  
Phone +49 (0) 5221 185-0  
Fax +49 (0) 5221 185-100  
info@stieglmeyer.com  
www.stieglmeyer.com



## Hauptsitz / Headquarters

*Deutschland / Germany*  
**Burmeier GmbH & Co. KG**  
Industriestraße 53  
32120 Hiddenhausen  
Phone +49 (0) 5223 9769 - 0  
Fax +49 (0) 5223 9769 - 090  
info@burmeier.com  
www.burmeier.com

*France*  
**Stieglmeyer SAS**  
16 Avenue de l'Europe  
Bâtiment SXB1  
67300 Schiltigheim  
Phone +33 (0) 4 7238 - 5336  
contact@stieglmeyer.fr  
www.stieglmeyer.fr

*South Africa*  
**Stieglmeyer Africa (PTY) Ltd.**  
The Estuaries - Century City  
Cape Town, 7441  
Phone +27 (0) 21 555 - 1415  
Fax +27 (0) 21 555 - 0639  
info.southafrica@stieglmeyer.com  
www.stieglmeyer.co.za

*Nederland / Netherlands*  
**Stieglmeyer BV**  
Peppelenbos 7  
6662 WB Elst  
Phone +31 (0) 345 581 - 881  
info@stieglmeyer.nl  
www.stieglmeyer.nl

*Suomi / Finland*  
**Stieglmeyer Oy**  
Ahjokatu 4 A  
15800 Lahti  
Phone +358 (0) 3 7536 - 320  
stieglmeyer@stieglmeyer.fi  
www.stieglmeyer.fi

*Polska / Poland*  
**Stieglmeyer Sp. z o.o.**  
86-212 Stolno  
Grubno 63  
Phone +48 56 6771 - 400  
Fax +48 56 6771 - 410  
info.stolno@stieglmeyer.pl  
www.stieglmeyer.pl

*België / Belgique / Belgium*  
**Distrac Group**  
3320 Hoegaarden  
Bleyveld 14  
Phone +32 (0) 16 76 82 82  
info@distracgroup.com  
www.distracgroup.com

*China*  
**Stieglmeyer China Co. Ltd.**  
Poly Center, No. 8 South Wenhua Road  
Dongping New Town, Shunde District  
528300 Foshan  
Phone +86 757 29878710 - 0  
info@stieglmeyer.cn  
www.stieglmeyer.cn



stieglmeyer-group.com