



# Bedside cabinets

Comfort and support in every hospital unit

# Bedside cabinets

## Quality of life in everyday hospital care

Even in hospital, patients always have their personal belongings with them. Items such as a watch, glasses and a smartphone are important valuable belongings which need to be kept by the bedside. Stieglmeyer bedside cabinets offer patients convenient features and easy access from the bed. Easy-to-open drawers and spacious compartments provide a safe place to keep belongings. These bedside cabinets are particularly stable, even if a heavy load is placed on the overbed table. They also support nursing staff with many routine tasks.

Stieglmeyer bedside cabinets blend harmoniously with the design of the hospital beds and complement the other care furniture in patient rooms.



# Contents

- 4 **Quado** – the space-saving bedside cabinet for any hospital unit
- 10 **Vitano** – the bedside cabinet for high comfort
- 13 **Vitano** – the electric model
- 15 **Somero** – the flexible bedside cabinet
- 18 **Soreno eco** – with space-saving storage
- 20 **Sima** – with access from both sides
- 22 **Velo** – the convertible bedside cabinet
- 24 **Pleto** – the mobile overbed table
- 26 **Colours and decors**
- 28 **Technical data**
- 30 **The Stieglmeyer-Group**



### Quado

- **The slimline bedside cabinet**
  - Height adjustable from 85 to 115 cm
  - The overbed table folds down easily and softly
  - Drawers open from both sides
  - Machine washable
  - Also ideal as a medicine trolley, ward trolley or cleaning trolley

Page 4



### Vitano

- **Flexible use with rotatable body**
  - Cabinet body rotates in both directions
  - With additional electrical options
  - Overbed table has a high load-bearing capacity
  - Closed back prevents unauthorised access from behind

Page 10



### Somero

- **The bedside cabinet with or without an overbed table**
  - Easy-to-clean fronts
  - Overbed table easy to change from one side to the other
  - Closed back prevents unauthorised access from behind

Page 15



### Soreno eco

- **The bedside cabinet with space-saving storage**
  - Two drawers in different sizes
  - Closed back prevents unauthorised access from behind
  - Budget-oriented model offers excellent value for money

Page 18



### Sima

- **The bedside cabinets for use from both sides**
  - Sima: Two practical bottle holders at the side
  - Optional height-adjustable overbed table at the side
  - Smooth-running double castors

Page 20



### Velo

- **The convertible bedside cabinet**
  - Versatile storage with a drawer, compartment, cupboard and book basket
  - With optional tilting overbed table
  - Sturdy models satisfy basic requirements and offer good value for money

Page 22



### Pleto

- **The mobile helper for added comfort**
  - Height adjustment from 69 - 104 cm
  - Overbed table in 2 variants: one-piece non-tilt, or two-piece adjustable tilt
  - High stability

Page 24



# Quado

## The space-saving bedside cabinet for any hospital unit

Free space is often at a premium in patients' rooms. Yet it is urgently needed: for mobilising patients, administering treatment and creating a pleasant atmosphere, particularly in rooms containing several beds. Our slimline Quado bedside cabinet **saves valuable space** and still offers ample room for **storing personal belongings**. The lightweight Quado is also **effortless to push aside**

if it is in the way. When the bed is transferred to another room, the Quado is **simply hooked onto the headboard or footboard**. These advantages also recommend it for use in intensive care units, where patients have few belongings with them and are often transferred.



The Quado can be effortlessly adjusted to any desired height between 85 and 115 cm. This allows patients to easily access their personal belongings.



The large overbed table offers ample space for placing items and reaches far over the bed.



The pullout book support under the overbed table top provides patients with high reading comfort without having to clear the table (optional).

## Ideal options for use

As well as for use in regular and intensive care units, the Quado is also ideal for day clinics and dialysis centres, where it perfectly complements our comfortable Mobilo stretcher, for example.



In **intensive care units**, the space-saving Quado comprises the ideal combination of server and bedside cabinet. With its easy height adjustment and fold-up bed table, meals can be taken comfortably in bed.



Women often spend only a short time in the **maternity unit** – so the slimline, space-saving Quado bedside cabinet is an ideal companion here. It is so easy to adjust that patients can set it to a convenient position themselves at any time without calling the nurse.



Patients in **day clinics** or **dialysis centres** require very little storage space. They can use the Quado as a practical dining table and storage unit while they are in bed or on the transport stretcher.



There is often little space in hospital rooms in the **children's unit** when parents stay overnight with them. The lightweight Quado can then simply be pushed to the side to make room. Smart accessories such as a USB extension cable with a clip to attach it to the cabinet rail offer additional comfort.



▲ The Quado can be transported together with Stiegmeyer beds by simply attaching it to the headboard or footboard.

## Easy transport on the hospital bed

The easy way to transport the Quado helps to relieve the strain of everyday life. It can be effortlessly attached to the headboard or footboard of almost any current Stiegmeyer hospital beds and so can be transported together with the bed when a patient is transferred. This piggy-back transport saves the nurse not only from transferring the personal belongings but also from having to document these. Depending on the condition of the floor, the Quado can either be wheeled along or lifted off the floor by raising the height of the bed.

**Patients are transferred within specialist departments in 11,1% of cases during their stay in hospital.**

Spindler, Jutta (2018): Case-based hospital statistics: Diagnoses and procedures of hospital patients based on data according to §21 Hospital Fees Act, In: Krankenhausreport 2018, J. Klauber, M. Geraedts, J. Friedrich, J. Wasem (eds.), Schattauer, Stuttgart, p.427



◀ With the Quado attached, one nurse alone can transport the patient without further assistance. This saves personnel resources and relieves the strain on personnel.

## Cost-effective use One model for many uses



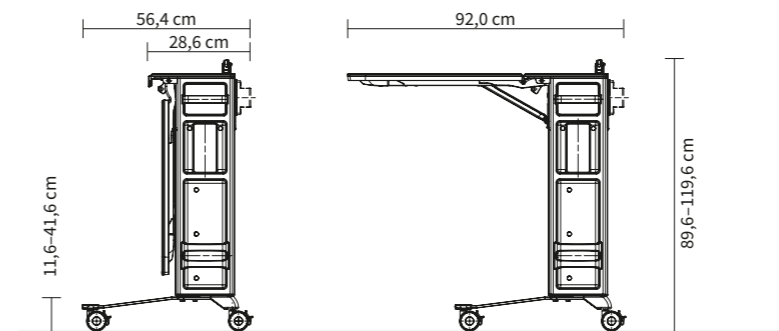
▲ For the purpose of storage, the bedside cabinets can be pushed together like shopping trolleys, to save space.

With its flexible usage options, the Quado supports cost-effective working in all hospital units. As an easily steerable trolley for medicines or cleaning equipment, it can be wheeled quickly and effortlessly to any location. The large fold-up overbed table is a convenient writing surface for updating daily records or information.

If several Quados are stored for a while, such as prior to reprocessing, they can simply be pushed together to save space and take up less room.

### Advantages at a glance

- Ideal for use as a ward trolley due to its excellent manoeuvrability and low weight
- Compartments and drawers that can be used from both sides offer practical storage space for medicines or cleaning materials
- Sliding several bedside cabinets inside each other saves space and facilitates transport



## Additional application possibilities



▲ Trolley for cleaning equipment.



▲ Medicine trolley.



▲ The ward trolley can be used as a writing surface for documenting purposes.

# Hygiene

## Reliable reprocessing

When it comes to reliable hygiene in hospitals, bedside cabinets are seldom the focus of attention. Yet they are touched frequently by many people and exposed to contamination through being used to store drinks, food and care utensils. The Quado sets new standards in hygiene. It is **machine-washable as standard** and, whenever required, can be **effortlessly hooked onto a bed** and wheeled into the washing system together with the bed.

With its **large radiuses and easily accessible surfaces**, thorough manual reprocessing is also particularly easy with the Quado. Its drawer can be removed and cleaned in the dishwasher. This is how to achieve **validatable hygiene** in the fight against multi-resistant germs.



▲ The chassis ensures excellent stability and is easy to clean.



▲ The Quado can be wheeled into the reprocessing unit together with the bed, saving personnel resources and ensuring reliable hygiene.



▲ The flat overbed table top is particularly easy to clean.



▲ Easily accessible surfaces lend the Quado its excellent hygiene properties.

# More comfort for patients

## Useful accessories



▲ For greater security, an option of a lockable drawer for valuables is available.



▲ With the short or long hook, towels or toiletry bags can be stored close to the patient.



▲ A plug-in USB extension cable allows mobile devices to be charged within easy reach of the patient.

▶ The cup holder offers a secure hold for glasses and bottles.



◀ The optional additional compartment at the side is suitable for storing magazines and other personal belongings.



▶ The optional holder for phones and multimedia systems provides added comfort and modern medical care at the bedside.





Overbed table top reaches far over the bed

The Vitano offers ample space for bags and personal belongings. The drawers close quietly due to their soft-close mechanism. The closed back provides an additional safeguard against unauthorised removal of possessions and increases the patient's sense of security.



- ◀ The patient can reach into the drawers from above and has convenient access to his or her personal belongings.
- ◀◀ An extra drawer for slippers prevents tripping hazards on the floor.



- ◀ For comfortable reading in bed, the bed table top is height adjustable and can be tilted.
- All table tops are made of easy-care HPL from a range of decors.

# Vitano

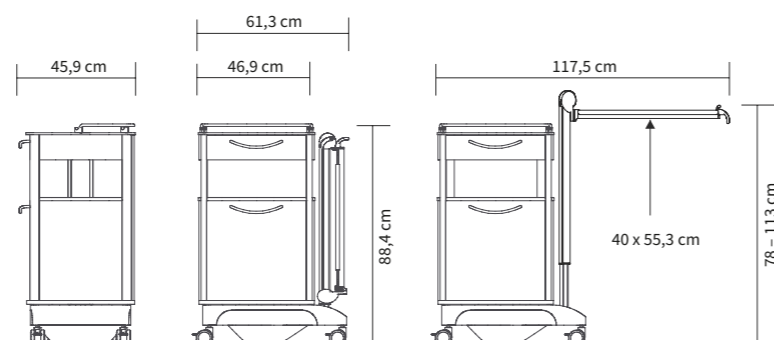
## The bedside cabinet for high comfort

Thanks to its rotatable corpus, the comfortable and homelike Vitano bedside cabinet can be used from two sides, bringing added flexibility to patient rooms. The large overbed table

provides a safe and height-adjustable surface for holding meals and drinks. The standard rail feature and the optional towel hook provide even more comfort and protection.



External dimensions/height adjustment range:



### Stable overbed table provides added safety

The Vitano's high stability and resistance to tipping ensures that the bedside cabinet does not tip up even when the overbed table is heavily loaded.



Conventional bedside cabinets

12 kg



Vitano bedside cabinet

20 kg



# Vitano

## Many options for upgrading the bedside cabinet for elective care services

Patients' expectations are constantly increasing, and there is also growing competition between hospitals. Attention is increasingly focused on the furnishings and fittings of the rooms. With its many model variants, the Vitano bedside cabinet is a piece of furniture with good functionality and ample storage space for the patient's belongings.

It can also accommodate individual preferences. Options include features such as a refrigerator, a lockable drawer, a phone holder or a fitting for modern multimedia monitors.



▲ With a built-in refrigerator and lockable drawer (optional features), the Vitano offers a special level of comfort for the patient.



▲ The patient can comfortably reach into the practical 20-litre refrigerated drawer from above to take drinks out (optional).



▲ The cup holder (optional) provides good support for glasses and bottles.



▲ With a hook on the bedside cabinet, personal accessories are always within easy reach for the patient (optional).



▲ The optional holders for phones and multimedia systems enable patients' needs to be taken into account.



▲ A plug-in USB extension cable enables mobile devices to be charged within easy reach of the patient (optional).

## Vitano The electric model

Most people use smartphones or tablets every day. Even during a hospital stay, hardly anyone will want to be without them. Our new Vitano electric bedside cabinet offers a whole new level of

convenience when it comes to handling these devices. Where hospitals compete to attract discerning patients, this bedside cabinet offers a convincing sales argument.



### The electric model offers the following optional features

#### Power sockets and USB

- 2 230V~ sockets
- 1 USB-A port
- 1 USB-C port with fast charging function

#### Drawer light

- Drawer with automatic light
- High-quality appearance; easier to find things

#### Inductive charging

- Qi charging module in the top surface
- Wireless charging of smartphones

#### Integrated bed table lamp

- LED reading light with flexible arm
- Permanently mounted on the bedside cabinet removable light without external power cable

# Vitano

## The electric model



The new electric variant makes it easier for patients to keep in touch with friends and relatives. Two power sockets and two USB ports on the front are ideal for charging smartphones, laptops or tablets. The intelligent cable routing allows unrestricted use of the drawer during charging. Optionally, the devices can also be stored and recharged in the drawer.

Even inductive, wireless charging of smartphones on the top surface is possible. Patients of all ages can thus use all their electronic devices just as they would at home. With the electric Vitano, hospitals significantly improve the quality of life in their elective wards and enhance their public image.



▲ State of the art: wireless charging on the top surface.



▲ Drawers with automatic lighting provide pleasant illumination and make it easy to find things at night.

### Sophisticated comfort

- Makes it possible to set apart the elective ward from the standard ward, and justifies higher charges
- Power sockets and USB interfaces for mobile devices (smartphone, tablet, e-book reader and other devices)
- Charge up to 5 devices at the same time or supply them with power
- All common charging standards are considered
- Inductive charging on the top surface
- Future-proof thanks to USB-C with a fast charging function – the new uniform EU standard for mobile electrical devices from 2024
- Optional lockable drawer allows patients to keep their valuables and wallets safe



Overbed table column can be positioned on either side.

# Somero

## The flexible bedside cabinet

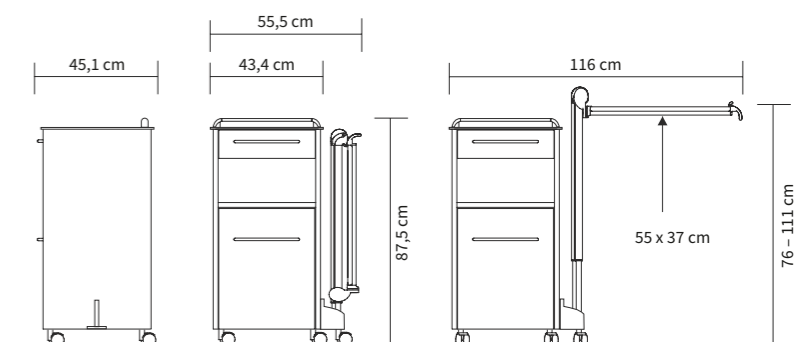
With its reversible overbed table, the Somero can be positioned on either side of the hospital bed. The overbed table column can be moved from the right to the left-hand side in a few easy steps.

The clear lines of the Somero's design promote particularly thorough manual reprocessing.



▲ An overbed table can be dispensed with entirely in the case of patients who are mobile.

### External dimensions/height adjustment range:



# Somero

## The flexible bedside cabinet

An overbed table can be dispensed with entirely if patients are mobile and do not take their meals in bed. If necessary, the overbed table can be docked onto the bedside cabinet later. This provides greater space and flexibility, such as in rehabilitation or psychiatric facilities.

Nurses can easily change over the overbed table. The table is unlocked using the foot pedal on the column and then lifted out. No tools are required for this procedure.

The fifth castor supplied in the variant with an overbed table provides very high tilting stability.



▲ Thorough manual reprocessing is facilitated by the easy-clean front, the straight back and the closed chassis.



▲ The Somero offers ample space for personal belongings. The patient can reach into the drawers from above and has convenient access to his or her belongings. The finishing edges of the top surface shown here are optional.

## Comfort for the patient – private elective options



▲ The extra laptop pullout is also available with a secure lock (optional).



▲ Cup holders and towel hooks ensure a tidy bedside table (optional).



▲ Holders for phones and multimedia systems provide patients with greater comfort and convenience (optional).



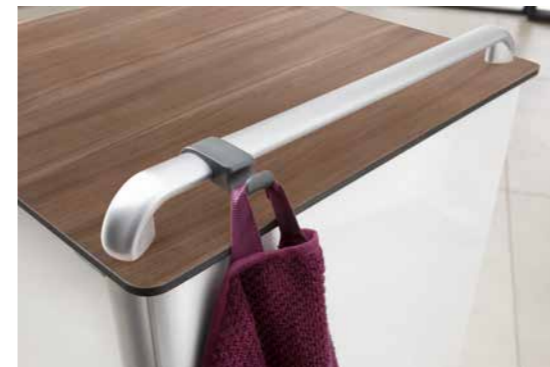
▲ Patients' food and drinks can be kept in the large refrigerator (optional).



◀ The slipper holder keeps everything tidy.



◀ The slipper holder keeps everything tidy.



▲ Thoughtful details, such as the towel hook, keep everything neat and tidy.



▲ The large overbed table top can be folded down to save space.

▼ Additional side edges keep objects safely in place on the locker.



▲ Ergonomic handles ensure easy opening of the drawers.



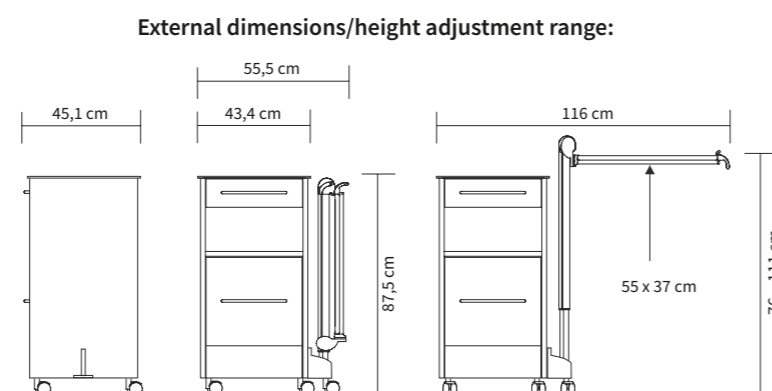
▲ The two differently sized drawers offer tailor-made space for everyday items.

## Soreno eco

### Space-saving storage

The Soreno eco bedside cabinet is notable for its particularly practical and versatile storage options. The stable table top, 2 drawers in different sizes, a roomy compartment and a slipper holder just above floor level offer easily accessible storage for important everyday things. The optional height-adjustable overbed table is

ideal for mealtimes and for holding drinks or care utensils. To save space, the overbed table can be folded away when not in use. The clear style of the Soreno eco, with its straight lines and wide bow handles, fits comfortably into any interior design.



# Sima

Accessible from both sides



▲ The bottle holders on the Sima can safely store large and small bottles.

▼ The large optional overbed table offers plenty of space for meals and drinks. To save space, it can be folded away when not in use.



▲ When tilted, the overbed table becomes a non-slip bookrest thanks to its gallery rail.

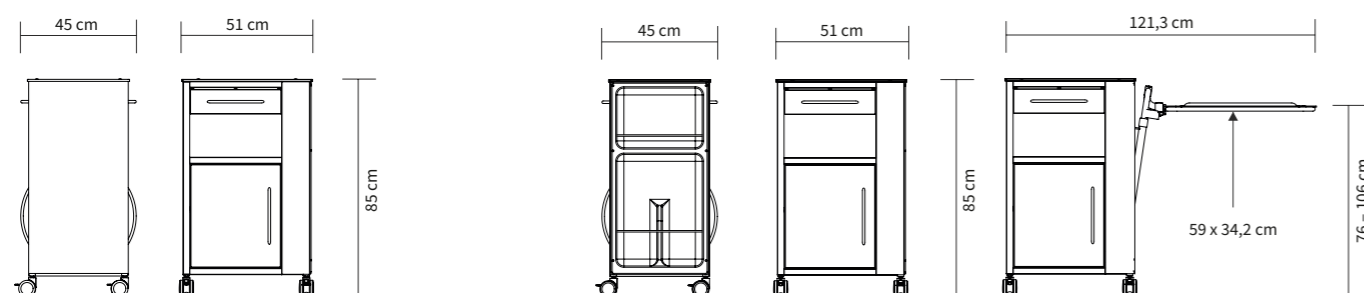
The Sima range of bedside cabinets, with access from both sides, brings flexibility to hospital rooms. The drawer, cupboard and open storage compartment can be conveniently used from both the front and back. Double castors that run smoothly and easily

allow care staff or patients to quickly move the bedside cabinet to the desired position. Two of the castors can be locked. The powder-coated fronts can be thoroughly cleaned and disinfected.

The standard model has two useful bottle holders at the side. In the version with the overbed table, the table can be tilted and used as a bookrest.

The surfaces of the bedside cabinet are also available in attractive colour combinations that will go with the interior design.

External dimensions/height adjustment range:



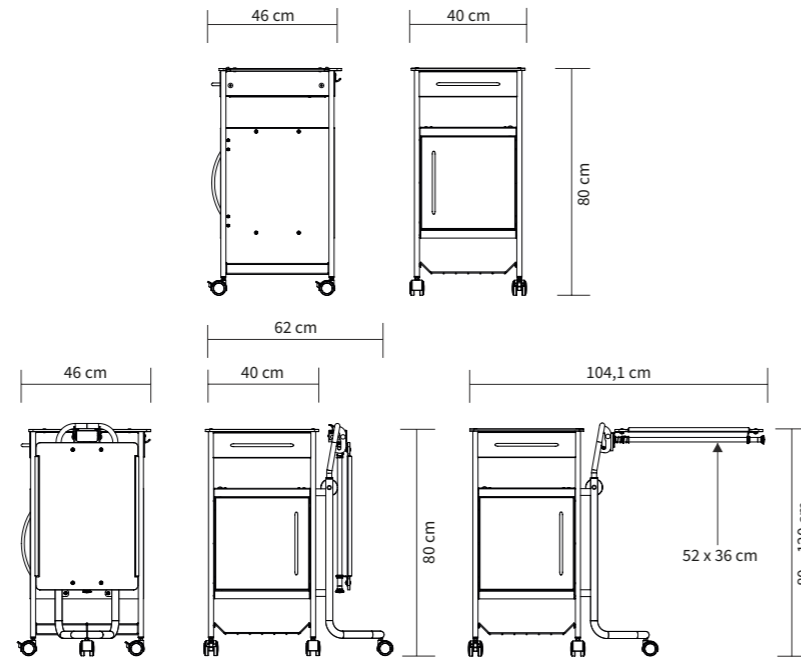
# Velo

## The convertible bedside cabinet

The Velo bedside cabinet is stable, practical and particularly hygienic. The body of the cabinet is made of zinc-coated steel, which can be thoroughly cleaned and disinfected. It is available in Argentum and Crystal White. Generous storage space is provided by a drawer, a cupboard element and a metal basket for books and magazines. A towel holder is fitted on the back of the bedside cabinet.

The optional height-adjustable overbed table can be quickly fitted on the right-hand or left-hand-side of the bedside cabinet, to suit every room configuration. A fifth castor on the foot of the overbed table ensures good stability and manoeuvrability. When tilted, the table top becomes a convenient bookrest.

External dimensions/height adjustment range:



▲ The overbed table can be used as a large serving tray and a practical bookrest.

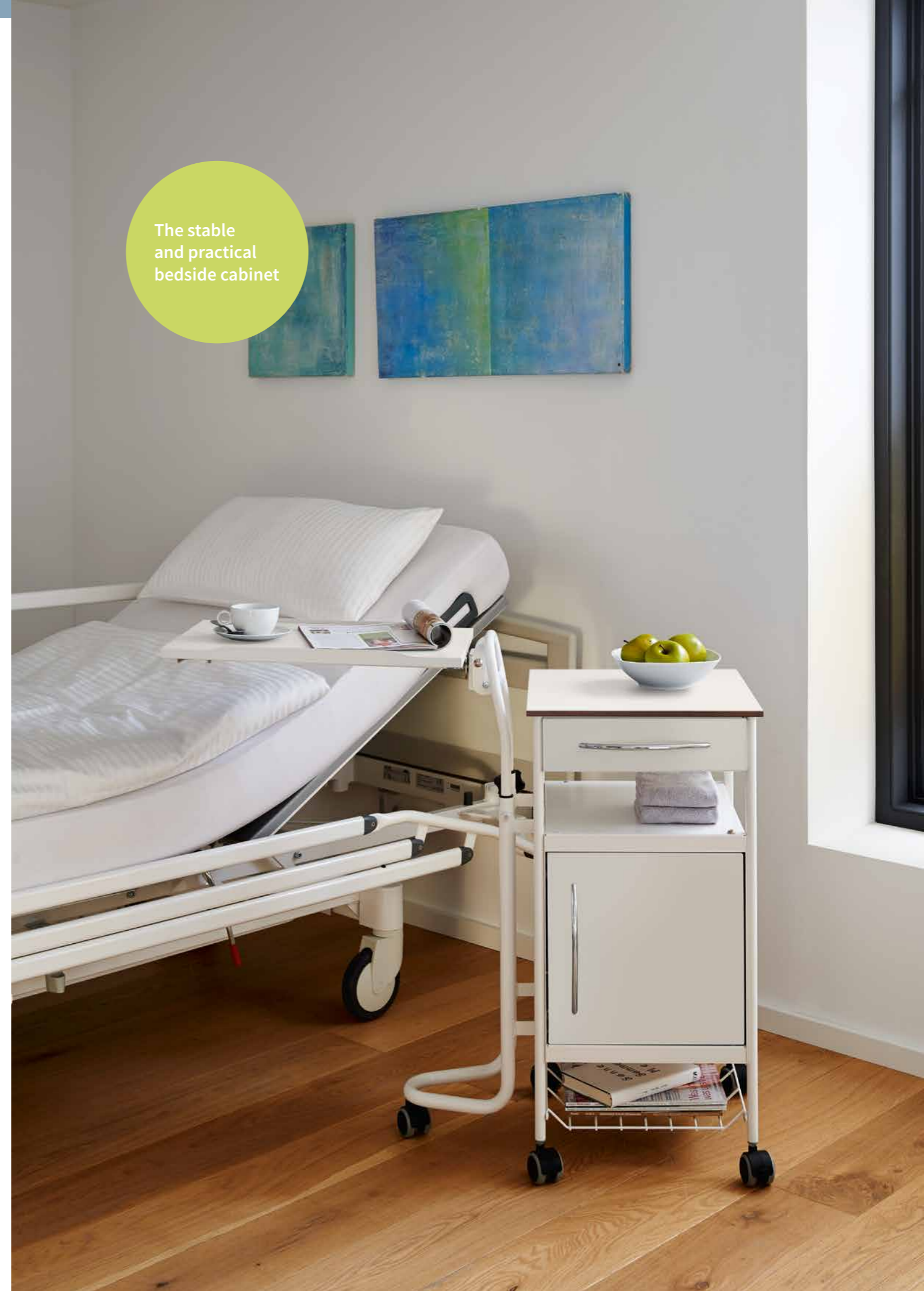


▲ The height-adjustable overbed table is easy to raise by simply loosening a set screw.



▲ The Velo bedside cabinet offers plenty of storage space and attractive colours to suit every room.

The stable and practical bedside cabinet





The Pleto can be extended far over the bed.



◀ The split and horizontally tilting table top offers variable options for use.



▲ The height adjustment lever is within easy reach.



▲ A strong chassis provides stability.

## Pleto

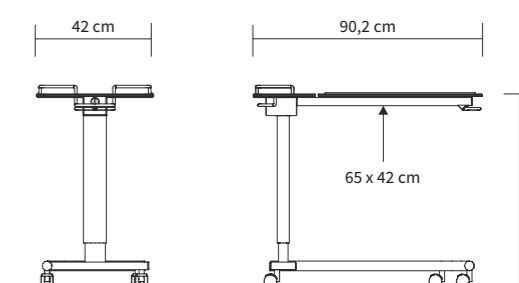
### The mobile overbed table

Thanks to its excellent manoeuvrability, the Pleto server can be used anywhere in everyday care situations. Usually, however, it is used as a table. It can be pushed right up to beds, chairs or recliner chairs, as required. Its convenient C frame guarantees high strength and stability.

With its gas spring support, the server can be adjusted from a height of 69 cm to 104 cm. This makes it possible to adapt the server flexibly to various situations, such as for eating meals or as an ergonomic bookrest for reading. The table top can be tilted, but a small section of the table always remains horizontal, creating a practical surface on which objects can be placed. This allows patients to put down their drink while reading, for example.

The server height is adjusted automatically when the bed height is adjusted, since upward adjustments are possible without releasing a handle. This is effective in avoiding collisions.

External dimensions/height adjustment range:



# Colours and decors\*

Bedside cabinets	Vitano			Somero			Soreno eco			Sima			Sima with overbed table			Velo			Velo with overbed table			Pleto	
	Body	Fronts	Overbed table & top surface	Body	Fronts	Overbed table & top surface	Body	Fronts	Overbed table & top surface	Body	Fronts	Top surface	Body	Fronts	Overbed table & top surface	Body	Fronts	Top surface	Body	Fronts	Overbed table & top surface	Body	Table top
Argentum	0	-	-	0	-	-	0	-	-	0	0	-	0	0	-	0	0	-	0	0	-	✓	-
Crystal White	✓	-	-	✓	-	-	✓	-	-	✓	✓	-	✓	✓	-	✓	✓	-	✓	✓	-	0	-
<b>HPL</b>																							
Azur	-	✓	0	-	✓	✓	-	✓	✓	-	-	✓	-	-	✓	-	-	✓	-	-	✓	-	✓
Baltic Sea	-	✓	0	-	✓	✓	-	✓	✓	-	-	✓	-	-	✓	-	-	✓	-	-	✓	-	✓
Gold	-	✓	0	-	✓	✓	-	✓	✓	-	-	✓	-	-	✓	-	-	✓	-	-	✓	-	✓
Silver Grey	-	✓	✓	-	✓	✓	-	✓	✓	-	-	✓	-	-	✓	-	-	✓	-	-	✓	-	✓
Snow White	-	✓	0	-	✓	✓	-	✓	✓	-	-	✓	-	-	✓	-	-	✓	-	-	✓	-	✓
Storm	-	✓	0	-	✓	✓	-	✓	✓	-	-	✓	-	-	✓	-	-	✓	-	-	✓	-	✓
Eternal Cherry	-	✓	0	-	✓	✓	-	✓	✓	-	-	✓	-	-	✓	-	-	✓	-	-	✓	-	✓
Valley Oak	-	✓	0	-	✓	✓	-	✓	✓	-	-	✓	-	-	✓	-	-	✓	-	-	✓	-	✓
Global Beech	-	✓	0	-	✓	✓	-	✓	✓	-	-	✓	-	-	✓	-	-	✓	-	-	✓	-	✓
Noce Lyon	-	✓	0	-	✓	✓	-	✓	✓	-	-	✓	-	-	✓	-	-	✓	-	-	✓	-	✓
Noce Praliné	-	✓	0	-	✓	✓	-	✓	✓	-	-	✓	-	-	✓	-	-	✓	-	-	✓	-	✓
Ottawa Maple	-	✓	0	-	✓	✓	-	✓	✓	-	-	✓	-	-	✓	-	-	✓	-	-	✓	-	✓

\*Quado body available in light grey (NCS S1500-N)

## HPL decors



To adapt the bedside cabinet to your own furnishing concept we offer two body colours and a selection of different decors from the Stieglmeyer Resopal collection.

Please get in touch with us.



✓ = standard feature  
 0 = available as an option  
 - = not available

# Technical data

All figures given are approximate values.

	Quado	Vitano	Somero	Soreno eco	Sima	Velo	Pleto
<b>Dimensions and weights</b>							
External dimensions W x D x H (without overbed table)	-	-	43,4 x 45,1 x 87,5 cm	43,4 x 45,1 x 87,5 cm	51 x 45 x 85 cm	40 x 46 x 80 cm	42 x 90,2 cm (W x L)
External dimensions W x D x H (overbed table, retracted)	56,4 x 44,6 x 89,6-119,6 cm	61,3 x 45,9 x 88,4 cm	55,5 x 45,1 x 87,5 cm	55,5 x 45,1 x 87,5 cm	51 x 45 x 85 cm	62 x 46 x 80 cm	-
Overbed table height	85-115 cm	78 - 113 cm	76 - 111 cm	76 - 111 cm	76 - 106 cm	80 - 120 cm	69 - 104 cm
Overbed table dimensions	40,7 x 57,4 cm	40 x 55,4 cm	40 x 55,4 cm	40 x 55,4 cm	34,2 x 59 cm	36 x 52 cm	42 x 65 cm
Total weight	25 kg	42 kg 50 kg with refrigerator	38 kg 46 kg with refrigerator	34 kg	30 kg 32 kg (with overbed table)	19 kg 25 kg (with overbed table)	17 kg
Tilting overbed table	-	30° - 60°	30° - 60°	-	30° - 60°	30° - 60°	30° - 60°
<b>Load capacity</b>							
Overbed table (attached centrally)	max. 15 kg	max. 20 kg	max. 15 kg	max. 10 kg	max. 4 kg	max. 15 kg	max. 15 kg
Upper drawer pulled out (fixed centrally, tipping stability)	max. 2.5 kg	max. 20 kg	max. 20 kg	-	-	-	-
Top surface	max. 15 kg	max. 50 kg	max. 50 kg	-	-	-	-



# Equipment and options

	Quado	Vitano	Somero	Soreno eco	Sima	Velo	Pleto
<b>Storage space</b>							
Bottom drawer	-	✓	✓	✓	-	-	-
Small top drawer	✓	✓	✓	✓	✓	✓	-
Large top drawer	-	-	0	-	-	-	-
Large top drawer with integrated laptop pullout	-	-	0	-	-	-	-
Refrigerator, 30-litre class	-	0	0	-	-	-	-
Refrigerator, 20-litre class	-	0	0	-	-	-	-
Overbed table	✓	✓	0	0	0	0	✓
<b>Colours and materials</b>							
Overbed table and top surface in HPL, decor from Stiegemeyer collection	-	✓	✓	✓	-	-	✓
Body and overbed table PP, PA	✓	-	-	-	-	-	-
Fronts HPL panels from Stiegemeyer collection	-	✓	✓	✓	-	-	-
Base colour Argentum	-	0	0	0	0	0	✓
Base colour Crystal White	-	✓	✓	✓	✓	✓	0
Base colour Light Grey	✓	-	-	-	-	-	-
<b>Electrical equipment</b>							
Power sockets	-	0	-	-	-	-	-
USB-A / USB-C ports	-	0	-	-	-	-	-
USB extension cable	0	0	0	-	-	-	-
Inductive charging	-	0	-	-	-	-	-
Drawer light	-	0	-	-	-	-	-
<b>Castors</b>							
50 mm double castor	-	-	-	-	✓	✓	✓
52 mm double castor	-	-	✓	✓	-	-	-
65 mm double castor	✓	✓	0	0	0	-	-
75 mm double castor	-	0	-	-	-	-	-
2 castors with brakes	-	0	0	0	✓	✓	✓
4 castors with brakes	✓	✓	0	0	-	-	0
<b>Positioned towards patient</b>							
Body can be rotated	-	✓	-	-	-	-	-
Column, transfers to either side	-	-	✓	✓	-	0	-
<b>Miscellaneous</b>							
Cylinder lock for top drawer	-	0	0	-	-	-	-
Combination lock for top drawer	0	0	-	-	-	-	-
Slot-in holders for telephone systems	0	0	0	0	-	-	-
Bottle holder on top surface rail	0	0	0	0	-	-	-
Bottle insert in drawer	-	0	0	-	-	-	-
Towel hook on rail	0	0	0	0	-	-	-
Compartment for bedpan or slippers	-	0	✓	0	-	-	-
Additional side edges on top surface	-	-	0	0	-	-	-
Compartment for slippers or magazines	0	-	0	0	-	-	-
Suitable for machine cleaning and disinfection	✓	0	0	-	-	-	-

✓ = standard feature  
0 = available as an option  
- = not available

# Useful additions

This may also interest you!

## Sicuro tera



▲ The Sicuro tera intensive care bed comes with numerous standard sliding rails that are designed for attaching equipment and accessories precisely and flexibly. Its lateral tilt feature makes for effortless repositioning of patients.

## Ravello



▲ With its excellent manoeuvrability, the Ravello transport chair is easy to use and relieves the strain on staff during patient transfers. The patient can also spend more time comfortably in the Ravello if needed.

## Mobilo



▲ Mobilo is one of the most universal stretchers for use in the demanding hospital sector. It offers patients enhanced comfort and safety. The stretcher is ideal for both outpatient use and as a bed for day patients.

## Mattresses

Stieglmeyer offers a wide range of mattresses for different needs. The focus is on high lying comfort and pressure ulcer prevention according to the latest scientific findings.

Discover our portfolio and configure your beds exclusively with mattresses from a single source to give you the very best quality.

Details of further accessories are available in separate brochures or on request.

# STIEGELMEYERGROUP



**125 YEARS**  
**EXPERIENCED HUMAN SOLUTION-FOCUSED**  
**STIEGELMEYER GROUP**

# Solutions for people who care

The Stieglmeyer Group is Germany's leading manufacturer of medical beds for hospitals, nursing homes and homecare. With modern bedside cabinets, furniture and digital assistance systems, it is also an innovative provider of comprehensive solutions. The family-run company successfully develops offers for international markets in more than 100 countries.

### Our strengths:

- Product development at our Herford headquarters in Germany – production in four modern factories in Germany and Poland
- Factory in China for the Chinese market
- Subsidiaries and sales partners in many countries
- Top-class service with reliable spare parts supply
- Training and process optimisation for our customers
- Sustainable action with strong social commitment

### Our expertise

- Hospital
- Nursing home
- Homecare
- Lifestyle beds
- Furniture systems
- Service

### Our values

- Experienced
- Human
- Reliable
- Solution-focused
- Open-minded
- Confident

**1 000** EMPLOYEES WORLDWIDE

**11** LOCATIONS in Germany, Poland, the Netherlands, Belgium, France, Finland, South Africa and China

Tailor-made OFFERS for all **MARKETS**

MORE THAN **100 000** beds produced every year

International **CERTIFICATION**

UP TO **15-YEAR** spare part availability

**DISTRIBUTION** in more than **100** countries

**GERMAN ENGINEERING**

### Our brands





# STIEGELMEYERGROUP

Solutions for people who care



## Hauptsitz / Headquarters

*Deutschland / Germany*  
**Stieglmeyer GmbH & Co. KG**  
Ackerstraße 42  
32051 Herford  
Phone +49 (0) 5221 185-0  
Fax +49 (0) 5221 185-100  
info@stieglmeyer.com  
www.stieglmeyer.com



## Hauptsitz / Headquarters

*Deutschland / Germany*  
**Burmeier GmbH & Co. KG**  
Industriestraße 53  
32120 Hiddenhausen  
Phone +49 (0) 5223 9769 - 0  
Fax +49 (0) 5223 9769 - 090  
info@burmeier.com  
www.burmeier.com

*France*  
**Stieglmeyer SAS**  
16 Avenue de l'Europe  
Bâtiment SXB1  
67300 Schiltigheim  
Phone +33 (0) 4 7238 - 5336  
contact@stieglmeyer.fr  
www.stieglmeyer.fr

*South Africa*  
**Stieglmeyer Africa (PTY) Ltd.**  
The Estuaries - Century City  
Cape Town, 7441  
Phone +27 (0) 21 555 - 1415  
Fax +27 (0) 21 555 - 0639  
info.southafrica@stieglmeyer.com  
www.stieglmeyer.co.za

*Nederland / Netherlands*  
**Stieglmeyer BV**  
Peppelenbos 7  
6662 WB Elst  
Phone +31 (0) 345 581 - 881  
info@stieglmeyer.nl  
www.stieglmeyer.nl

*Suomi / Finland*  
**Stieglmeyer Oy**  
Ahjokatu 4 A  
15800 Lahti  
Phone +358 (0) 3 7536 - 320  
stieglmeyer@stieglmeyer.fi  
www.stieglmeyer.fi

*Polska / Poland*  
**Stieglmeyer Sp. z o.o.**  
86-212 Stolno  
Grubno 63  
Phone +48 56 6771 - 400  
Fax +48 56 6771 - 410  
info.stolno@stieglmeyer.pl  
www.stieglmeyer.pl

*België / Belgique / Belgium*  
**Distrac Group**  
3320 Hoegaarden  
Bleyveld 14  
Phone +32 (0) 16 76 82 82  
info@distracgroup.com  
www.distracgroup.com

*China*  
**Stieglmeyer China Co. Ltd.**  
Poly Center, No. 8 South Wenhua Road  
Dongping New Town, Shunde District  
528300 Foshan  
Phone +86 757 29878710 - 0  
info@stieglmeyer.cn  
www.stieglmeyer.cn



stieglmeyer-group.com