

Arena



Clinic | **Care** | Homecare | Assist

The heavy-duty
bed





Arena – the heavy-duty bed

Arena heavy-duty beds facilitate the demanding daily care routine with bariatric individuals. Bariatric care patients can easily stretch the space and weight limits of standard beds.

To meet the needs of these occupants, the Arena provides a safe working load of 350 kg. This includes the weight of the occupant, the mattress and any accessories. With its powerful motors, comfort adjustments

can be made quickly and easily at any time without compromising on stability. The bed provides a back-friendly height of 80 cm and can be lowered to 40 cm.

The mattress base has a comfortable width of 120 cm and so provides bariatric individuals with ample space (image 2).



Features

The emergency release facility allows care staff to lower the back rest from any preset position. A lever is provided for this on both sides of the bed and is very easy to reach (image 1).

The integrated supply rail allows a variety of accessories to be placed on either side of the bed (image 2).

The Arena is available with full length safety sides (standard) and with split safety sides (optional). It is also possible to select a combination of both types of safety sides.



Mobility and comfort

Early mobilisation of patients is of increasing importance in the daily care routine. This is why the Arena assists this process with special functions. The mobilisation support in the split safety sides (optional) with its ergonomic knob provides the occupant with a secure grip and enhances safety (image 1).

Mobilising the occupant begins with sitting up. The bed can be set to a comfortable sitting position with a knee bending mechanism (large figure). This helps the

occupant to participate sooner in everyday life. The adjustment range of the mattress base allows the height to be individually adjusted, enabling the occupant to get out of bed safely and providing a surer footing for the occupant (image 2).

The heavy-duty mattress with its high point elasticity provides excellent lying comfort in particularly demanding care situations (image 3).



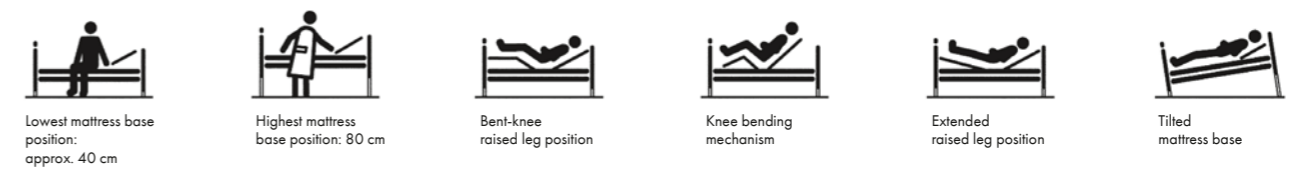
Accessories

All-round protection for occupants can be provided by attaching protective cushions to the head and foot boards and safety sides. These cushions are flexible, hard-wearing and tear-resistant and can also be disinfected (image 1).

The bed can be fitted with an integrated extension as an option. This provides ample room even for tall occupants (image 2).

Additional accessories are also available, of course, for the Arena, including lamps and universal holders (image 3).





Technical Data

	Model
Features	Mattress base in four sections, electrically adjustable
	Wire mesh mattress base
	Heavy-duty castors Ø 100 mm
	Individual locking castors
	Height adjustment approx. 40 – 80 cm
	Backrest adjustment to 70°
	Thigh rest adjustment to 26°
	Extended raised leg position to 11°
	Tilting to Trendelenburg and reverse-Trendelenburg position
	Right/left-hand supply rail
Safety side systems	Locking box with selective locking of electrical functions
	Argentum metal finish
	Integrated full length safety sides (standard)
Decors	Integrated split safety sides (optional)
	Combination of full length and split safety sides (optional)
Dimensions	Decors: Natural beech (R 5311 VV); Real cherry (R 5360 VV); Lindberg Oak (R 4223 VV)
	External dimensions approx. 220 x 135 cm
	Mattress base dimensions approx. 200 x 120 cm

The Arena is also suitable for clinical use. In this case, it is additionally equipped with potential equalisation on the mattress frame and a conductive mattress base using connecting cables.

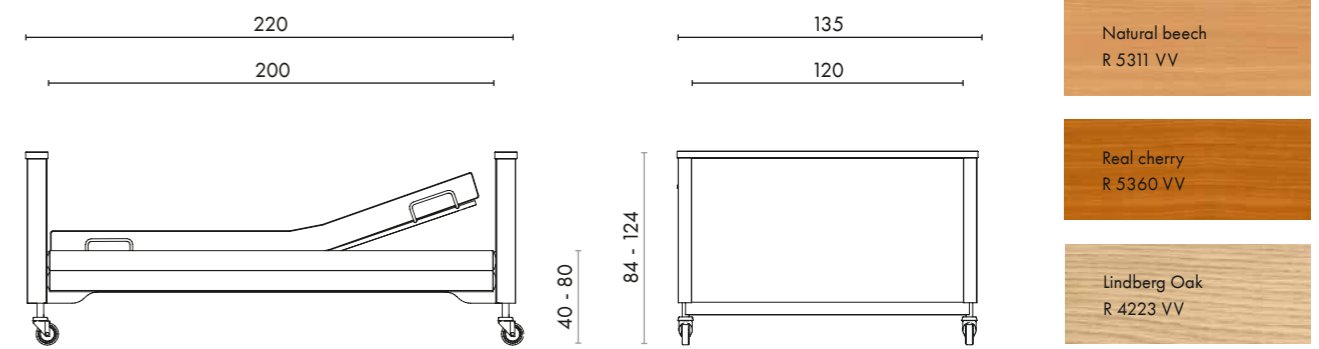
A heavy-duty bed within days

The pace of work in the care sector is becoming more intense – and sometimes things just have to be done in a hurry. An unexpected new resident requires a heavy-duty bed: in emergency situations like this, there's no need to look for improvised solutions – just rely on Stiegmeyer's express delivery service.

Delivery within a matter of only days is limited to up to three beds. It applies for the equipment option with

full length safety sides and Natural Beech decor. Other options are available on request.

Your direct link to our express delivery service:
+49 (0) 5221 185 - 0



Ihr Bett – unsere Leidenschaft
Your bed – our passion

Finland / Suomi

Stiegelmeyer Oy
Ahjokatu 4 B
15800 Lahti
Phone +358 (0) 3 7536 - 320
Fax +358 (0) 3 7536 - 330
E-Mail stiegelmeyer@stiegelmeyer.fi
finland.stiegelmeyer.com

Netherlands / Nederland

Stiegelmeyer BV
Peppelenbos 7
6662 WB Elst
Phone +31 (0) 345 581 - 881
E-Mail info@stiegelmeyer.nl
netherlands.stiegelmeyer.com

Poland / Polska

Stiegelmeyer Sp. z o.o.
86-212 Stolno, Grubno 63
Phone +48 56 6771 - 400
Fax +48 56 6771 - 410
E-Mail info.stolno@stiegelmeyer.pl
poland.stiegelmeyer.com

France

Stiegelmeyer SAS
451 Chemin de Champivost
69 760 Limonest
Phone +33 (0) 4 7238 - 5336
Fax +33 (0) 4 7238 - 5481
E-Mail contact@stiegelmeyer.fr
france.stiegelmeyer.com

South Africa

Stiegelmeyer Africa (PTY) Ltd
The Estuaries, Century City, Cape Town, 7441
Phone +27 (0) 21 555 - 1415
Fax +27 (0) 21 555 - 0639
E-Mail info.southafrica@stiegelmeyer.com
south-africa.stiegelmeyer.com

Stiegelmeyer GmbH & Co. KG

Ackerstraße 42, 32051 Herford, Germany
Phone +49 (0) 5221 185 - 0
Fax +49 (0) 5221 185 - 252
E-Mail info@stiegelmeyer.com
www.stiegelmeyer.com


STIEGELMEYER

Finden Sie Ihren Händler auf unserer Webseite:
Find your local partner at our website:
stiegelmeyer.com/partner

Technische Änderungen vorbehalten. Leichte Farbabweichungen der Originale sind drucktechnisch bedingt. Stand 10/2018. Version 3. Artikel-Nr. 600591.
Subject to technical changes without notice. The shown product colours may differ slightly from the actual product. Last updated 10/2018. Version 3. Item no. 600591.